

Monti & Barabino

Technical Supplies for
Industrial and Naval field
since 1880



RUBBER PROFILES



Monti & Barabino, established in 1880, is based in Genoa and operates in the field of Technical Items supplies for the Industrial and Maritime Sectors.

The extremely wide experience matured in more than 135 years of activity and its highly qualified personnel composed by technicians, marine engineers, naval architects etc., enables the Company to offer the most complete and efficient technical and commercial assistance.

Moreover, the products stocked in its large warehouse allows it to promptly satisfy any kind of enquiry, while its workshop is able to manufacture all types of packings and gaskets comprising the moulding of rubber and elastomer of various types, including silicon, Fluoropolymer, Polyurethane, etc.

Since February 2004, Monti & Barabino S.p.A. improved its Quality Management System in accordance with **UNI EN ISO 9001** regulations, obtaining the certification through **R.I.N.A.** This prestigious acknowledgement is a confirmation of our constant effort in offering excellent quality and service to all those Customers who have chosen and will choose our Company as their supplier.



Our workshop, acting as  Official distributor, is able to offer:

- FLEXIBLE HOSES FOR LOW, MEDIUM AND VERY HIGH PRESSURE
- MED APPROVED FLEXIBLE HOSES
- TYPE APPROVED SHIP TO SHORE AND INDUSTRIAL COMPOSITE HOSES
- HIGH PRESSURE STEAM HOSES
- HIGH PRESSURE CLEANING HOSES
- RUBBER, STAINLESS STEEL AND TEXTILE EXPANSION JOINTS

Moreover:

- HYDRAULIC TEST FACILITIES
- MANAGEMENT OF TESTING PROCEDURES IN PRESENCE OF CLASSIFICATION BODIES
- PRESSED FITTINGS ON LARGE BORE RUBBER HOSES UP TO 10"

MECHANICAL WORKSHOP and **PIPE WORKSHOP** are available for the execution of customized processes on our semi-finished products. Thanks to the wide availability of **WAREHOUSE** we are able to satisfy your needs in a short time, organizing and managing your shipments in a very short time.

We perform CNC turning and cutting on rubber and metal semi-finished products; we mold details and rubber gaskets.



We produce gaskets in any material, even according to Customer's design, including padded copper and spiral wound gaskets.

We sew and assemble insulating mats and textile joints: wide choice of fabrics for high temperatures.



Laser marking of finished products and components

We are an authorized **Parker** assembling center, hydraulic hoses up to 3" and industrial hoses up to 10".
Ask for our **FLEXIBLE HOSES** and **ACCESSORIES CATALOG**



Approved welders able to manufacture special fittings according to Customer's specifications.

We perform internal hydrostatic tests, also in the presence of an external Certifying Body.



RUBBER PROFILES FOR W.T. DOORS AND HATCHES

GENERALITY



Available on stock a wide range of rubber profiles, single foam density and double density type, suitable for water tight doors and hatches.

The **RUBBER FOAM** is made in EPDM foam and can be supplied in a wide size range with square, round or rectangular sections.

The **DOUBLE DENSITY PROFILE** is available in five sizes on stock.

Hatch cover rubber seals

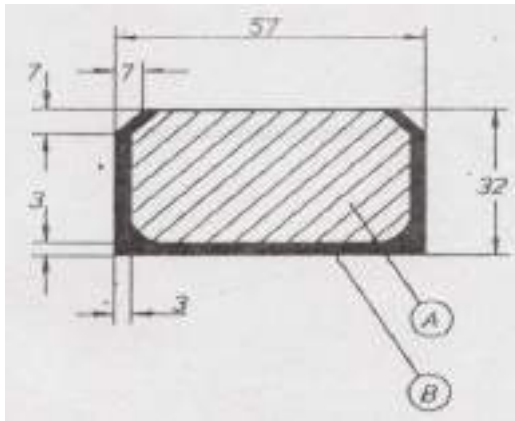


Expanded closed cells EPDM profile, with film on three sides in order to make it waterproof. Suitable to manufacture watertight seals, it also guarantees acoustic and thermal insulation, as well as vibration dumping.

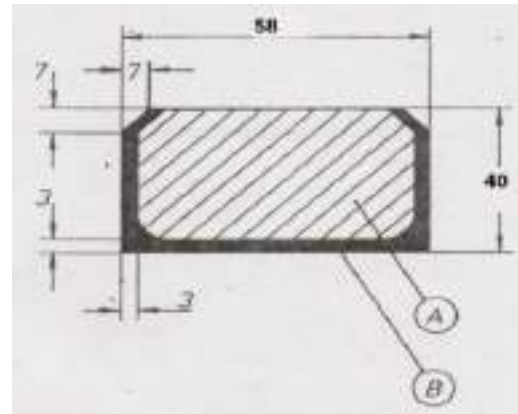
A wide range of sizes is available in stock. Every size can be manufactured upon request.

Double density rubber seals

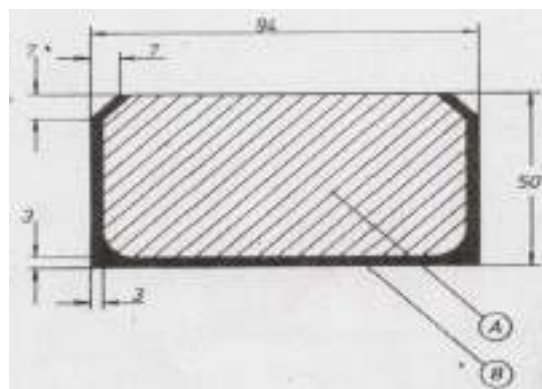
It is a special gasket for the hold hatches made in solid and sponge rubber. The outer cover (B) is made with compact EPDM in order to ensure a good mechanical resistance. The inner part of the gasket (A) is in foam EPDM in order to guarantee the necessary elasticity.



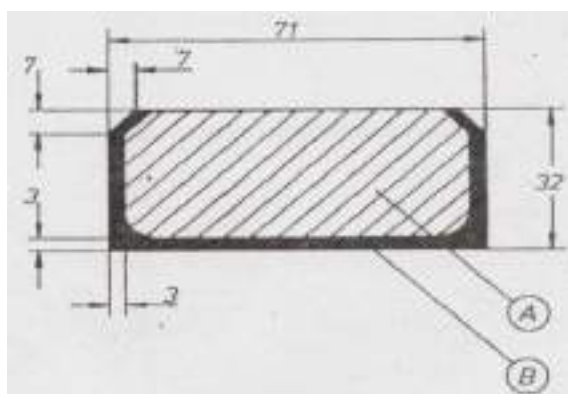
Cod.3426.5732



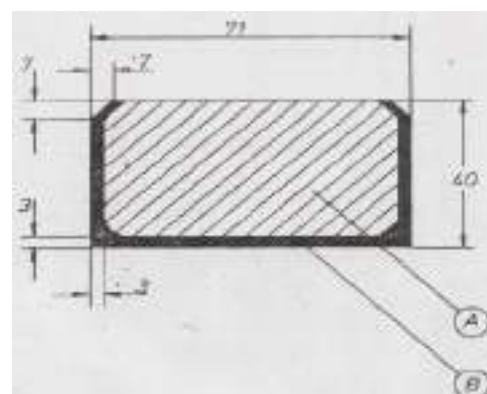
Cod.3426.5840



Cod.3426.9450



Cod.3426.7132



Cod.3426.7140

RUBBER FENDER "D" SHAPE

GENERALITY



Extruded bored profile produced with a special synthetic black rubber compound, spotless on the contact surfaces. It is supplied in 5 meters lengths, can be tailor-made and bored for a quick and economic application, allowing the partial substitution of worn fender lengths. Used as protection on piers and floating docks or to prevent hull damages to tug boats fishing boats and patrol boats.

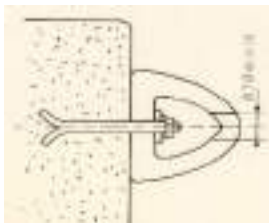


CHARACTERISTICS

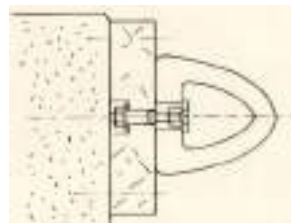
Fender with excellent resistance to shearing stress, salt water, ageing and hydrocarbon traces. Thanks to its peculiar "D" shape has a very low weight and allows the maximum shock absorption. The round profile eliminates every hooking risk and because of the wide contact surface it guarantees a good stability.

ASSEMBLING

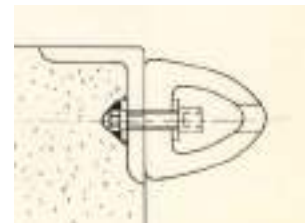
It can be easily connected to the surface to be protected by means of an internal iron plate and bolts.



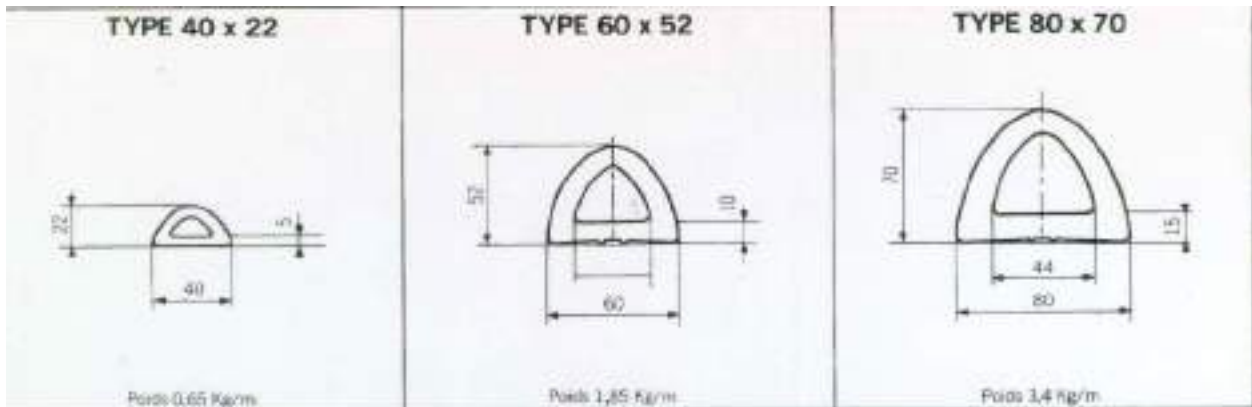
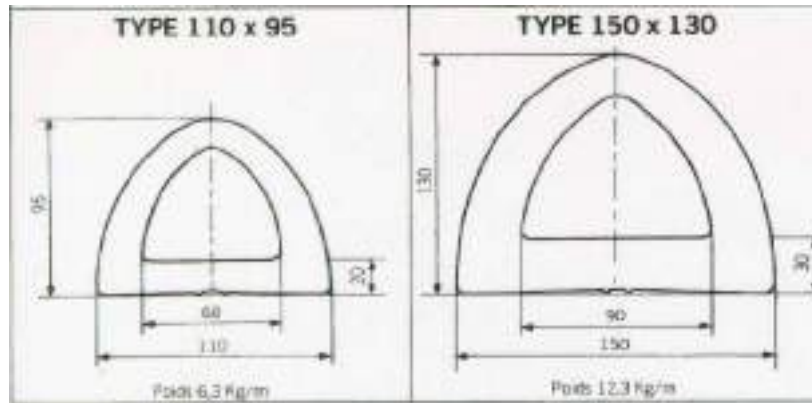
ON CONCRETE



ON WOOD/CONCRETE



IRON ON CONCRETE



NOTE !! THE REPORTED SIZES ARE APPROXIMATE

**OUR TECHNICAL OFFICE IS AVAILABLE
 FOR FURTHER INFORMATION**

LED SILICONE PROFILES

GENERALITY



LED flexible profile with point or uniform brightness, realized in extruded silicone rubber, thermo-dissipating and LED circuits of high quality. Available in various colours and sizes, also upon request.

LED profile Patented Technology allows the coextrusion of a LED strip in a silicone profile, dotted or dottles, whose properties come from a blend of fantasy and technology, breaking every bond since known.

APPLICATIONS

Buildings and infrastructure, Commercial places and shop windows, Architectura, Home, Trade show and theatre exhibitions, General signage, Markers for walkways and stairs, Appliances, Public displays, Special effects, Swimming pools and Spa, Hotels and restaurants, Parks and gardens, Nightclubs in general, Accident prevention, Nautical, Automotive, Industrial and many more...





Monti & Barabino S.p.A.

16149 Genova Sampierdarena (GE) - Via Buranello 85/R

Tel: +39010413341 - Fax: +39010414281

Web site: www.montiebarabino.it - e-mail: info@montiebarabino.it

