

Monti & Barabino

Technical Supplies for
Industrial and Naval field
since 1880



**TRANSMISSION
ELEMENTS**



Monti & Barabino, established in 1880, is based in Genoa and operates in the field of Technical Items supplies for the Industrial and Maritime Sectors.

The extremely wide experience matured in more than 135 years of activity and its highly qualified personnel composed by technicians, marine engineers, naval architects etc., enables the Company to offer the most complete and efficient technical and commercial assistance.

Moreover, the products stocked in its large warehouse allows it to promptly satisfy any kind of enquiry, while its workshop is able to manufacture all types of packings and gaskets comprising the moulding of rubber and elastomer of various types, including silicon, Fluoropolymer, Polyurethane, etc.

Since February 2004, Monti & Barabino S.p.A. improved its Quality Management System in accordance with **UNI EN ISO 9001** regulations, obtaining the certification through **R.I.N.A.** This prestigious acknowledgement is a confirmation of our constant effort in offering excellent quality and service to all those Customers who have chosen and will choose our Company as their supplier.



Our workshop, acting as  Official distributor, is able to offer:

- FLEXIBLE HOSES FOR LOW, MEDIUM AND VERY HIGH PRESSURE
- MED APPROVED FLEXIBLE HOSES
- TYPE APPROVED SHIP TO SHORE AND INDUSTRIAL COMPOSITE HOSES
- HIGH PRESSURE STEAM HOSES
- HIGH PRESSURE CLEANING HOSES
- RUBBER, STAINLESS STEEL AND TEXTILE EXPANSION JOINTS

Moreover:

- HYDRAULIC TEST FACILITIES
- MANAGEMENT OF TESTING PROCEDURES IN PRESENCE OF CLASSIFICATION BODIES
- PRESSED FITTINGS ON LARGE BORE RUBBER HOSES UP TO 10"

MECHANICAL WORKSHOP and **PIPE WORKSHOP** are available for the execution of customized processes on our semi-finished products. Thanks to the wide availability of **WAREHOUSE** we are able to satisfy your needs in a short time, organizing and managing your shipments in a very short time.

We perform CNC turning and cutting on rubber and metal semi-finished products; we mold details and rubber gaskets.



We produce gaskets in any material, even according to Customer's design, including padded copper and spiral wound gaskets.

We sew and assemble insulating mats and textile joints: wide choice of fabrics for high temperatures.



Laser marking of finished products and components

We are an authorized **Parker** assembling center, hydraulic hoses up to 3" and industrial hoses up to 10".
Ask for our **FLEXIBLE HOSES** and **ACCESSORIES CATALOG**



Approved welders able to manufacture special fittings according to Customer's specifications.

We perform internal hydrostatic tests, also in the presence of an external Certifying Body.



TRANSMISSION ELEMENTS

STANDARD DRIVE BELTS

Available in stock a wide range of standard drive belts sections type A, B, C, SPA, SPB, SPC, SPZ.

Cog belts available upon request.



SPECIAL DRIVE BELTS

Also available upon request:

- coated on the back of expanded rubber
- made in rubber or polyurethane, also with metal reinforcement
- V-Belt with Nylon bristle insertion.



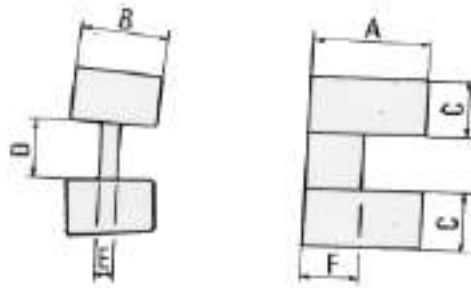
FLEXIBLE ELEMENTS

Available in stock a wide range of rubber and polyurethane flexible elements.

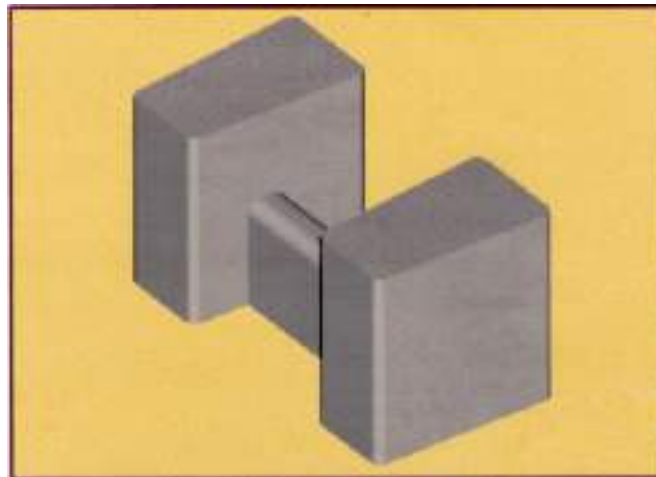
Flexible couplings upon request.



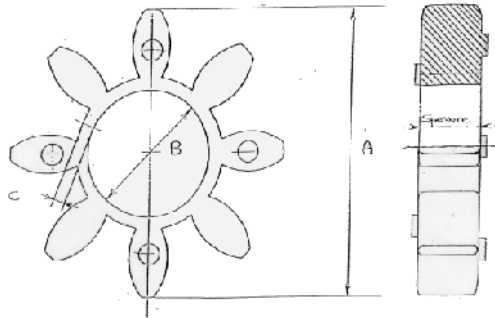
SAPIT



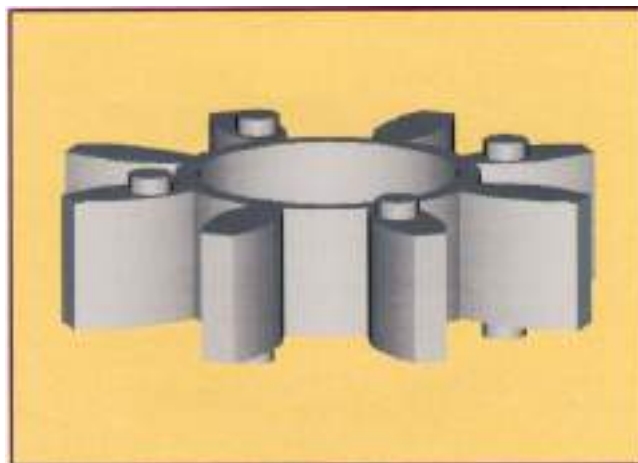
Code	Type	A	B	C	D	E	F
8715.1000	IR 10	10	10	5	6	2	6
8715.1200	IR 12	16	12	11,5	9	2,5	10
8715.1600	IR 16	16	16	11,4	12	3	9
8715.2000	IR 20	20	20	11,5	17	3,5	11
8715.2530	IR 25/30	30	25	15	25	4,5	13
8715.3500	IR 35	35	35	19,5	26	5	16
8715.5500	IR 55/70	55	50	24	30	8	30



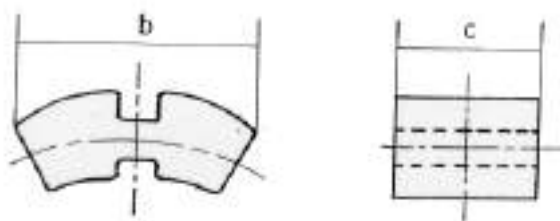
ROTEX



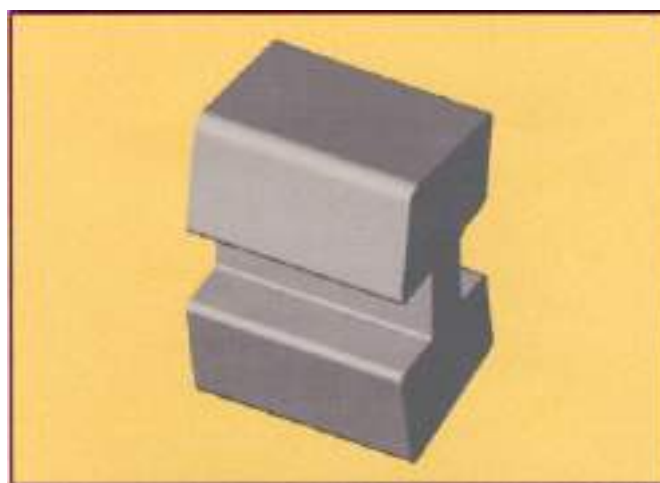
Code	Type	A	B	C	Tck
8716.1924	19/24	40	18	2,5	12
8716.2432	24/32	55	27	2,5	14
8716.2838	28/38	65	30	2,5	15
8716.3845	38/45	80	38	2,5	18
8716.4255	42/55	95	46	3	20
8716.4860	48/60	105	51	4	21
8716.5570	55/70	120	60	5	22
8716.6575	65/75	135	68	6	26



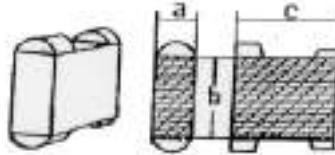
EUPEX



Code	Type	C	B
8715.6799	IR 68	9	23
8715.6800	IR 80	10	20
8715.6801	IR 95	12	25
8715.6802	IR 110	15	29
8715.6803	IR 125	18	33
8715.6804	IR 140	20	37
8715.6805	IR 160	22	37
8715.6806	IR 180	24	36
8715.6807	IR 200	27	38
8715.6808	IR 225	31	43
8715.6809	IR 250	35	47
8715.6810	IR 280	39	52
8715.6811	IR 315	42	50
8715.6812	IR 350	45	56



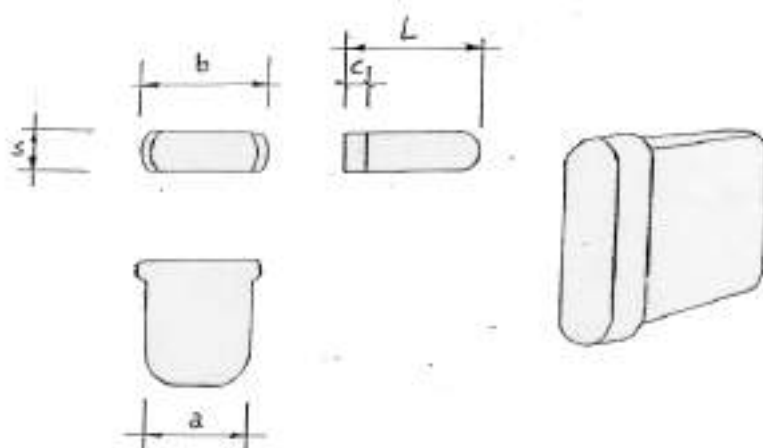
API / BLOMING



Code	Type	a	b	c
8715.6901	A	6,5	10	15
8715.6902	B	8	14	18
8715.6903	C	11	17	25
8715.6904	D	15	22	39
8715.6905	E	19	30	49
8715.6906	N	15	30	39
8715.6907	P	20	40	49
8715.6908	R	21	40	64
8715.6909	S	12	20	30



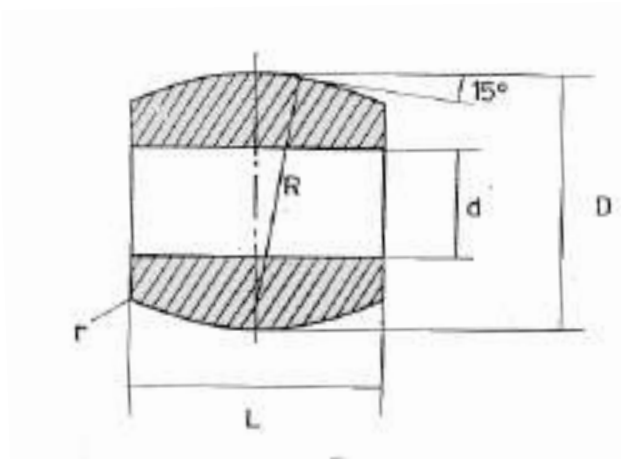
“T”



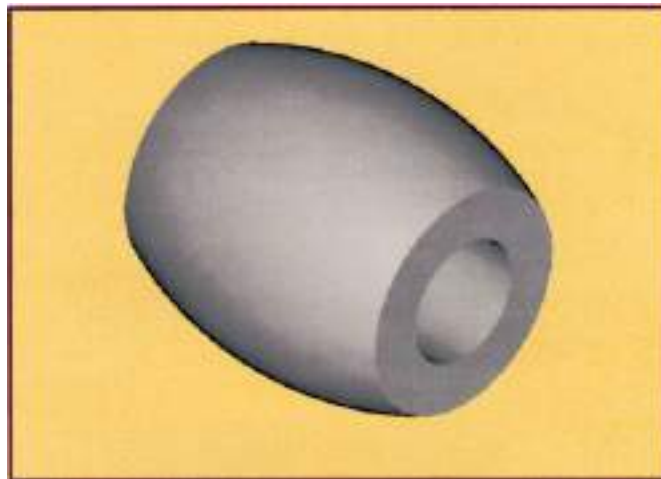
Code	Type	a	b	c	L	s
8715.8500	AMB 0	15	16	2	16	7
8715.8501	AMB 1	16	18	2	18	7
8715.8502	AMB 2	25	29	4	28	8
8715.8503	AMB 3	26	31	4	30	10
8715.8504	AMB 4	41	44	4	41	8



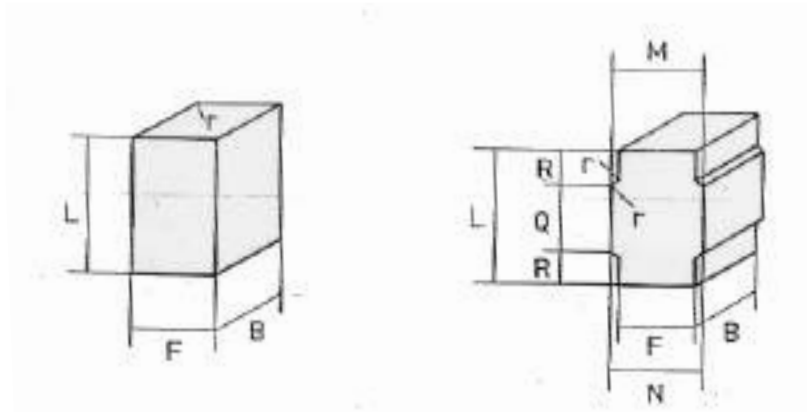
BARREL



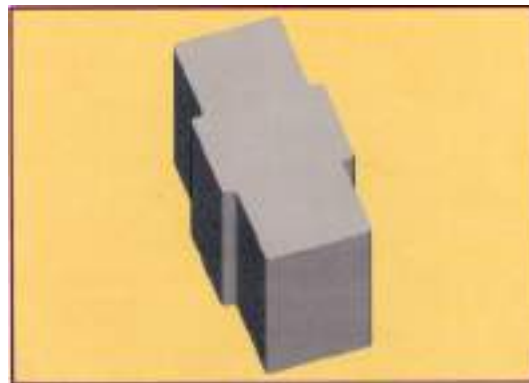
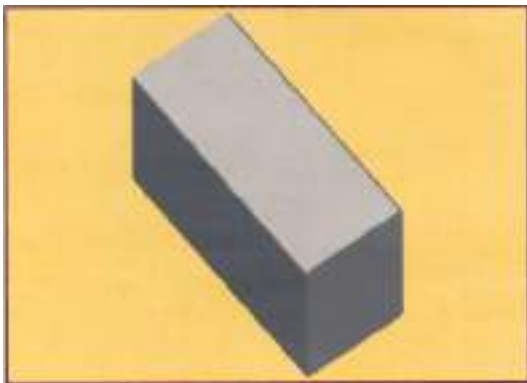
Code	Type	D	d	L
8716.0100	IR 100	20	8	22
8716.0200	IR 200	24	10	26
8716.0300	IR 300	30	12	34
8716.0400	IR 400	38	16	42
8716.0500	IR 500	48	20	52
8716.0600	IR 600	60	25	66



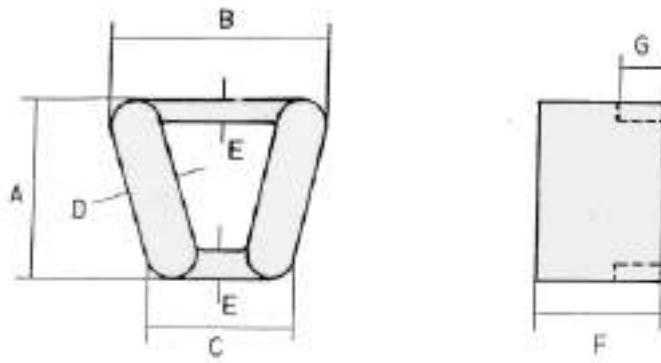
“N” or “M”



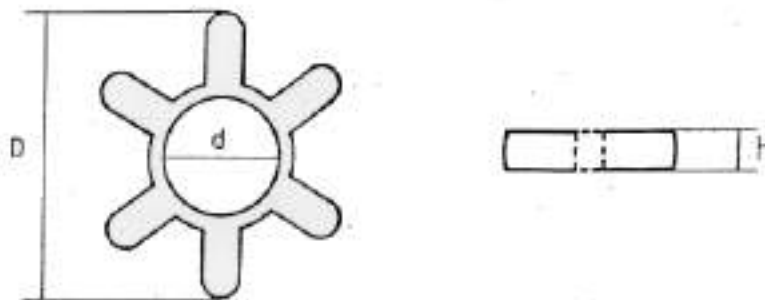
Code	Type	L	B	F
8716.105N o M	IR 5-N/M	21	15	10
8716.106N o M	IR 6-N/M	21	15	10
8716.107N o M	IR 7-N/M	21	15	10
8716.108N o M	IR 8-N/M	23	20	10
8716.109N o M	IR 9-N/M	29	20	12
8716.110N o M	IR 10-N/M	35	20	14
8716.111N o M	IR 11-N/M	43	25	16
8716.112N o M	IR 12-N/M	53	30	20
8716.113N o M	IR 13-N/M	59	35	20
8716.114N o M	IR 14-N/M	61	40	24
8716.115N o M	IR 15-N/M	61	45	24
8716.116N o M	IR 16-N/M	63	50	28
8716.117N o M	IR 17-N/M	75	60	30
8716.118N o M	IR 18-N/M	88	70	35
8716.119N o M	IR 19-N/M	98	80	35
8716.120N o M	IR 20-N/M	128	90	40
8716.121N o M	IR 21-N/M	148	100	45



RU-STEEL



Code	Type	A	B	D	C	F
8715.8004	A4	25	37	10	30	22
8715.8005	A5	30	42	11	32	25
8715.8006	A6	34	52	12	40	30
8715.8007	A7	44	62	14	45	39
8715.8008	A8	46	62	17	50	40



Code	Type	D	d	h
8715.8001	A1	49	24	13,5
8715.8002	A2	68	32	17
8715.8003	A3	85	39	19,5



Monti & Barabino S.p.A.

16149 Genova Sampierdarena (GE) - Via Buranello 85/R

Tel: +39010413341 - Fax: +39010414281

Web site: www.montiebarabino.it - e-mail: info@montiebarabino.it

